

More information:

www.blug.es/eng/productos/



MACHINE TYPE

CLAMSHELL GRAB

WORKING SYSTEM

ELECTRO-HYDRAULIC

MATERIAL TO BE HANDLED



REFERENCE

CV2-1,8

MAXIMUM MATERIAL DENSITY

1,8 T/M³

CYLINDER QUANTITY

2

p. 26

RELATED PRODUCTS



C4-1,8



C2H-1,8



CM4-1,8

PILED AND BULK MATERIAL UP TO 1,8 t/m³ DENSITY



Hydraulic unit equipped with self-regulated piston variable flow pump

Full protected hydraulic cylinders

Structure validated by Finite Elements Analysis

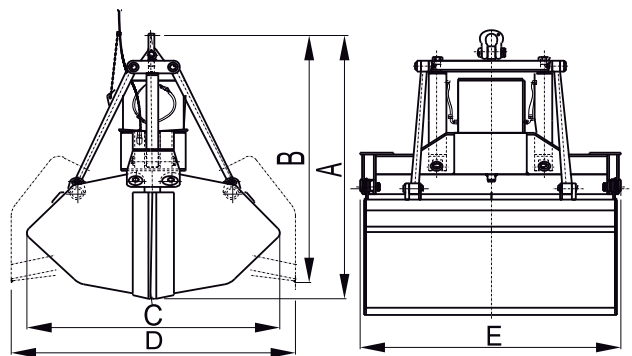
Clamshell design with optimal penetration that allows full loading in all the operations thanks to a kinematic design at lifting and penetration mode including wear resistant lips

Equipment needed

- Hook(s) or lifting chain(s).
- Electric connection for hydraulic unit.

Technical information

- Robust structure in S355 J2G3 rolled steel.
- Oil tank tightly enclosed and protected from environment impurities.
- Reduced height, multi-stable, can work at any angle ($\pm 60^\circ$).
- Design & fabrication according to standard FEM 1001/98 section I.
- CE conformity.



Reference	Capacity m ³	Engine 40% ED kW	Intensity 400 V A	Working pressure bar	Closing time s	Opening time s	Crane SWL t	Weight kg	Dimensions mm				
									A	B	C	D	E
CV2-3000-1,8	3	20,5	39	190	10	7	10	2960	2650	2630	2350	2510	2000
CV2-3500-1,8	3,5	31,5	61	170	12	8	10	3650	2750	2655	2450	2700	2000
CV2-4000-1,8	4	31,5	61	200	12	8	12	3970	3050	3065	2750	2800	2150
CV2-5000-1,8	5	40	74,5	160	14	10	16	5750	3300	3330	2900	2965	2450
CV2-6300-1,8	6,3	40	74,5	200	16	11	20	6060	3480	3380	3100	3310	2450
CV2-8000-1,8	8	62,5	117	200	16	11	25	8200	3630	3570	3200	3395	3000
CV2-10000-1,8	10	62,5	117	170	19	14	32	11350	3950	3955	3350	3500	3500
CV2-12500-1,8	12,5	70	129	180	19	14	40	11900	4150	4005	3700	3885	3500

SUBJET TO CHANGE WITHOUT NOTICE.

You can request any model's offer visiting our web site www.blug.es or sending an email to comercial@blug.es