

More information:
www.blug.es/eng/productos/



MACHINE TYPE
CLAMSHELL GRAB
WORKING SYSTEM
MECHANICAL
MATERIAL TO BE HANDLED



REFERENCE
CM2-1,8

MAXIMUM MATERIAL DENSITY
1,8 T/M³
CABLE QUANTITY
2

RELATED PRODUCTS



CM1-1,8



CM1R-1,8



CM4-1,8

CEMENT, CLINKER, PILED AND BULK MATERIAL UP TO 1,8 t/m³ DENSITY

Pulleys block with tempered contact surfaces and mounted on cushions / rollings

Articulated arms to compensate disalignment between valves and top body

Structure validated by Finite Elements Analysis

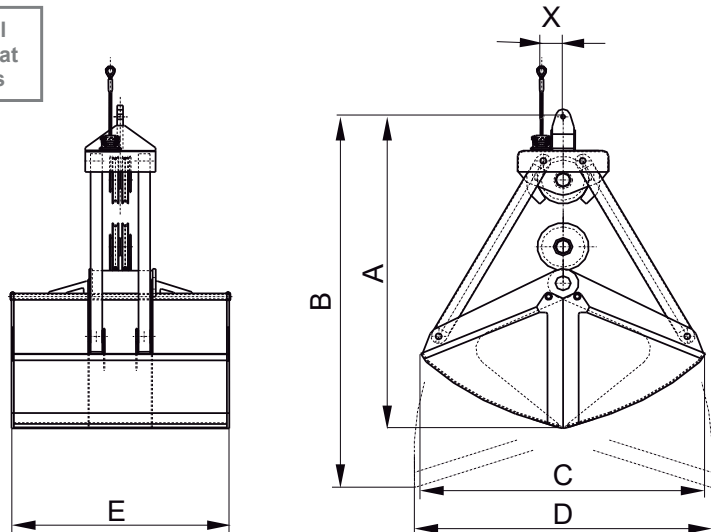
Clamshell design with optimal penetration that allows full loading in all the operations thanks to a kinematic design at lifting and penetration mode including wear resistant lips

Equipment needed

- 1 lifting cable.
- 1 opening / closing cable.

Technical information

- Robust structure in S355 J2G3 rolled steel.
- Complete load through maximum penetration force.
- Design & fabrication according to standard FEM 1001/98 section I.
- CE conformity.



Reference	Capacity	Withdrawn cable	Pulley Ø	Cable Ø	Crane SWL	Weight	Dimensions					
							mm					
	m ³	m	mm	mm	t	kg	A	B	C	D	E	X
CM2-1000-1,8	1	5,3	355	18	4	1375	2200	2460	1560	1900	1600	175
CM2-1250-1,8	1,2	5,8	355	20	4	1485	2300	2570	1660	2150	1600	175
CM2-1500-1,8	1,5	6,8	355	22	5	1760	2620	3050	2020	2220	1800	210
CM2-2000-1,8	2	7,5	400	22	6,3	1928	2720	3210	2180	2410	1850	210
CM2-2250-1,8	2,25	7,5	400	24	8	2035	2770	3220	2180	2520	1900	210
CM2-2500-1,8	2,5	7,2	400	26	8	2574	2860	3260	2140	2480	2050	250
CM2-3000-1,8	3	8	400	26	10	2640	2930	3410	2320	2600	2200	250
CM2-3500-1,8	3,5	8,5	400	28	10	2728	2990	3520	2440	2720	2300	250
CM2-4000-1,8	4	9	500	30	12	3300	3400	3830	3580	3280	2300	260
CM2-4500-1,8	4,5	9	500	30	12	3410	3460	3840	2580	3400	2400	260
CM2-5000-1,8	5	9,3	500	32	16	3564	3500	3900	2650	3480	2500	260

SUBJECT TO CHANGE WITHOUT NOTICE.

Reeving system 1:3 / 1:4

You can request any model's offer visiting our web site www.blug.es or sending an email to comercial@blug.es