

More information:  
[www.blug.es/eng/productos/](http://www.blug.es/eng/productos/)



**MACHINE TYPE**  
**ORANGE PEEL GRAB**  
**WORKING SYSTEM**  
**ELECTRO-HYDRAULIC**  
**MATERIAL TO BE HANDLED**



**REFERENCE**  
**PR8-1,8**

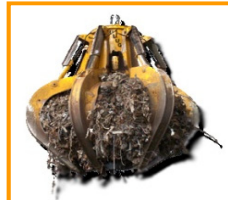


**MAX. MATERIAL DENSITY**  
**1,8 T/M<sup>3</sup>**  
**STRUCTURE**  
**RECTANGULAR**

p. 4



**PR8-3**

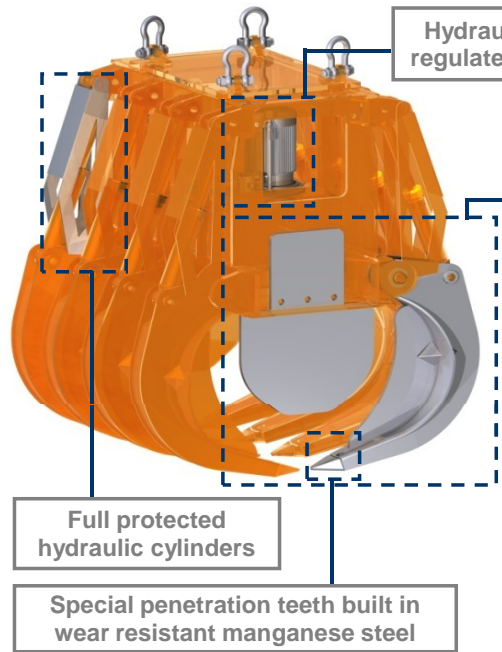


**P-1,8**



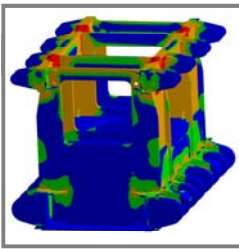
**PM4-1,8**

**MIXED SCRAP, BALED SCRAP WOOD, FRAG SCRAP, INDUSTRIAL REFUSE, MISCELANEOUS SCRAP, SCRAP 1-2...**



Hydraulic unit equipped with self-regulated piston variable flow pump

Complete load through maximum penetration force applied with special profile jaws designed for the product with side closing plates



Structure validated by Finite Elements Analysis

Full protected hydraulic cylinders

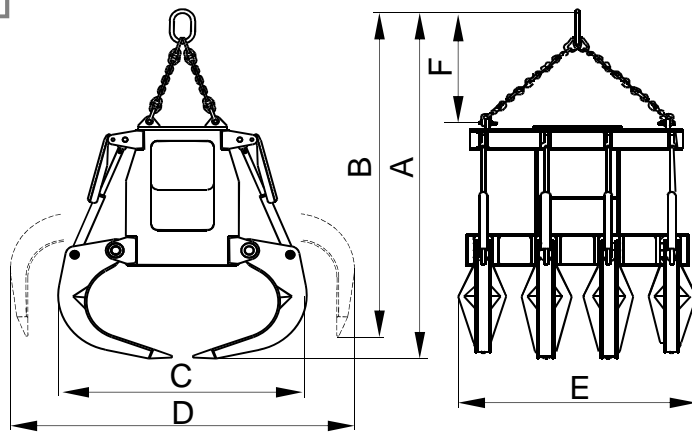
Special penetration teeth built in wear resistant manganese steel

**Equipment needed**

- Hook(s) or lifting chain(s).
- Electric connection for hydraulic unit.

**Technical information**

- Robust structure in S355 J2G3 rolled steel.
- Oil tank tightly enclosed and protected from environment impurities.
- Reduced height, multi-stable, can work at any angle ( $\pm 60^\circ$ ).
- Design & fabrication according to standard FEM 1001/98 section I.
- CE conformity.



Reference	Capacity m <sup>3</sup>	Engine 40% ED kW	Intensity 400 V A	Working pressure bar	Closing time (s)	Opening time s	Crane SWL t	Weight kg	Dimensions mm					
									A	B	C	D	E	F
PR8-1500-1,8	1,5	20,5	39	130	10	6	8	4100	2950	2750	1820	2730	2000	800
PR8-2000-1,8	2	25,5	48,5	170	10	6	8	4400	3020	2820	2040	2840	2000	800
PR8-2500-1,8	2,5	31,5	61	140	12	7	10	5500	3780	3320	2190	3560	2000	900
PR8-3000-1,8	3	31,5	61	170	12	7	12,5	6300	3840	3350	2290	3620	2000	900
PR8-3500-1,8	3,5	51	94	130	13	8	16	8100	4090	3770	2320	3630	2300	1200
PR8-4000-1,8	4	51	94	140	13	8	16	8500	4170	3850	2460	3750	2300	1200
PR8-5000-1,8	5	62,5	117	175	13	8	20	9200	4320	3990	2730	4000	2300	1200

SUBJET TO CHANGE WITHOUT NOTICE.

(1) THE LOAD APREHENSION TIME IS CONSIDERED AT 85% OF THE SHELLS STROKE.

You can request any model's offer visiting our web site [www.blug.es](http://www.blug.es) or sending an email to [comercial@blug.es](mailto:comercial@blug.es)