

More information:
www.blug.es/eng/productos/

BLUG[®]
 Credeblug, s.l.



REFERENCE

PNA-3

p. 10

RELATED PRODUCTS



PNA-1,8



P-3N



PM4-3

MAX. MATERIAL DENSITY

3 T/M³

STRUCTURE

ROUND

MACHINE TYPE

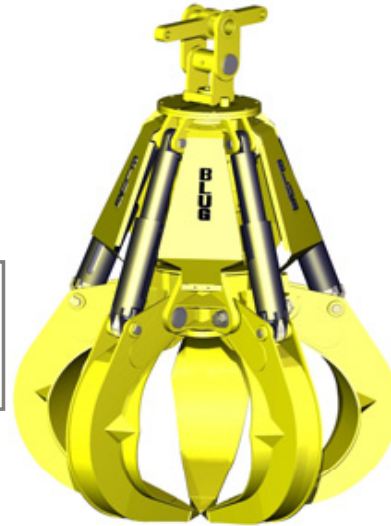
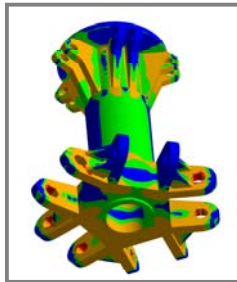
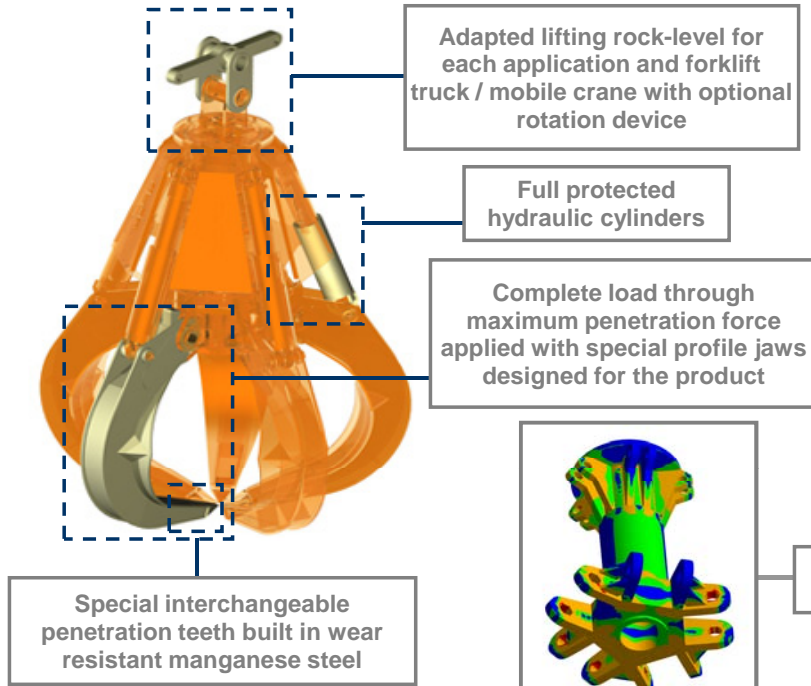
ORANGE PEEL GRAB

WORKING SYSTEM

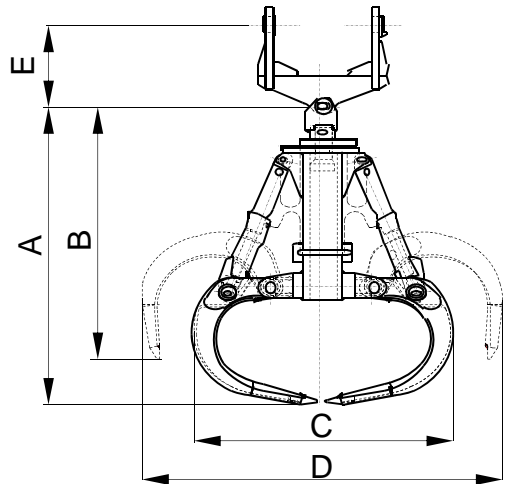
HYDRAULIC

MATERIAL TO BE HANDLED

ALL TYPE OF SCRAP, STONES, TRUCKS, BRIQUETTES, PIG-IRON...



Structure validated by Finite Elements Analysis



Equipment needed

- Attachment from forklift truck / mobile crane.
- Hydraulic supply from external system.

Technical information

- Robust structure in S355 J2G3 rolled steel.
- Mechanical (120°) or hydraulic (360°) rotation device.
- Reduced height, multi-stable, can work at any angle (± 60°).
- Design & fabrication according to standard FEM 1001/98 section I.
- CE conformity.

Reference	Capacity	Jaw quantity	Working pressure	Crane SWL	Weight	Dimensions				
						mm				
	m ³		bar	t	kg	A	B	C	D	E
PNA-1000-3	1	5	250	4,4	1860	2250	1980	1920	2600	Depending on forklift truck / mobile crane's suspension
PNA-1500-3	1,5	5	250	6	2100	2440	2000	1970	2980	
PNA-2000-3	2	5	250	8	3000	3060	2500	2400	3625	
PNA-2500-3	2,5	5	250	9,5	3250	3210	2550	2540	3880	
PNA-3000-3	3	6	250	12	4350	3400	2660	2500	4200	
PNA-4000-3	4	6	250	14,6	4560	3500	2675	2600	4475	
PNA-5000-3	5	6	250	17,3	4800	3620	2690	2940	4655	

SUBJET TO CHANGE WITHOUT NOTICE.

You can request any model's offer visiting our web site www.blug.es or sending an email to comercial@blug.es