

MACHINE TYPE
ORANGE PEEL GRAB
WORKING SYSTEM
HYDRAULIC
MATERIAL TO BE HANDLED



REFERENCE
PNA-1,8



MAX. MATERIAL DENSITY
1,8 T/M³
STRUCTURE
ROUND



PNA-3

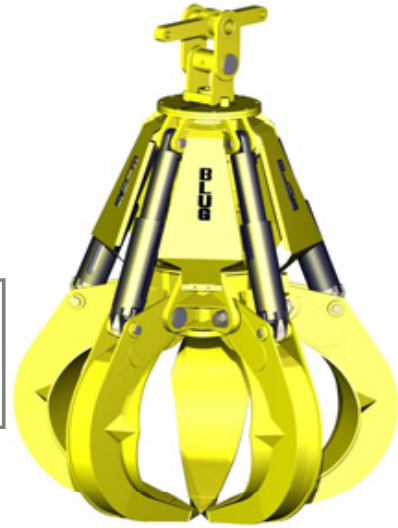
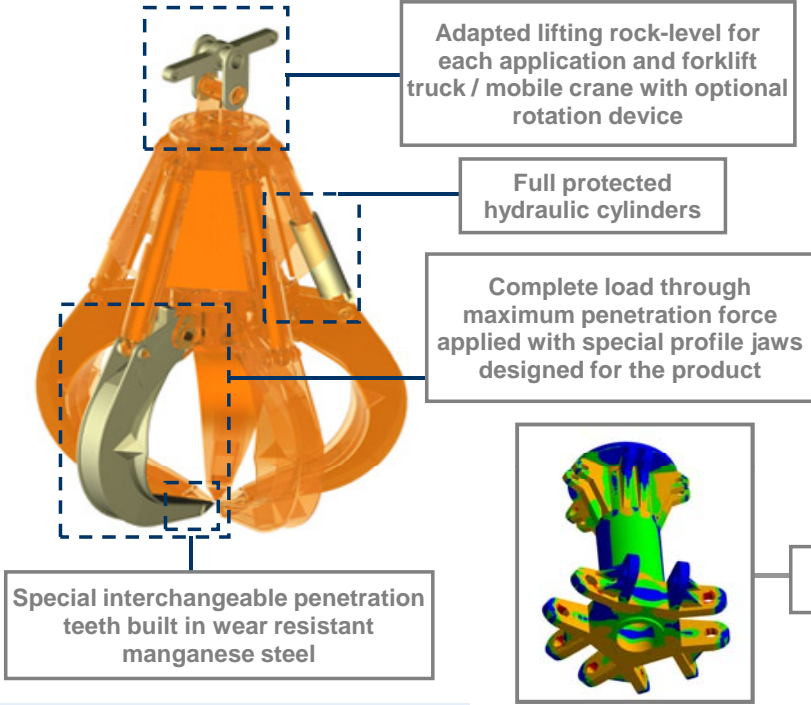


P-1,8

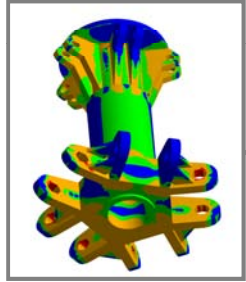


PM4-1,8

MIXED SCRAP, BALED SCRAP WOOD, INDUSTRIAL REFUSE, MISCELLANEOUS SCRAP, SCRAP 1-2 HANDLING...

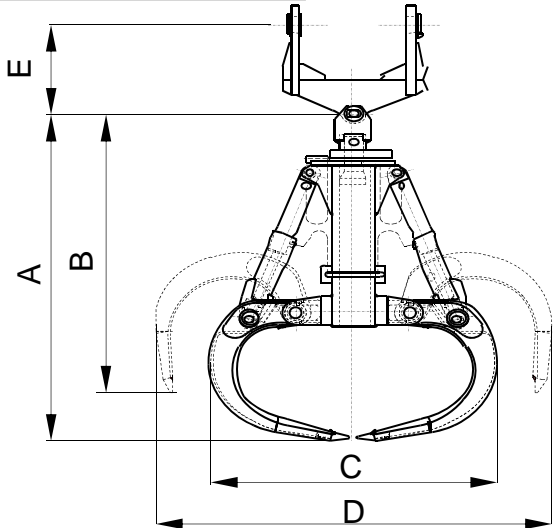


Structure validated by Finite Elements Analysis



- Equipment needed**
- Attachment from forklift truck / mobile crane.
 - Hydraulic supply from external system.

- Technical information**
- Robust structure in S355 J2G3 rolled steel.
 - Mechanical (120°) or hydraulic (360°) rotation device.
 - Reduced height, multi-stable, can work at any angle (± 60°).
 - Design & fabrication according to standard FEM 1001/98 section I.
 - CE conformity.



Reference	Capacity	Jaw quantity	Working pressure	Crane SWL	Weight	Dimensions				
						mm				
	m ³		bar	t	kg	A	B	C	D	E
PNA-1000-1,8	1	5	250	3,2	1350	2250	1980	1920	2600	Depending on forklift truck / mobile crane's suspension
PNA-1500-1,8	1,5	5	250	4,2	1480	2440	2000	1970	2980	
PNA-2000-1,8	2	5	250	6,1	2450	3060	2500	2400	3625	
PNA-2500-1,8	2,5	5	250	7,2	2680	3210	2550	2540	3880	
PNA-3000-1,8	3	6	250	8,9	3540	3400	2660	2500	4200	
PNA-4000-1,8	4	6	250	10,9	3700	3500	2675	2600	4475	
PNA-5000-1,8	5	6	250	12,9	3890	3620	2690	2940	4655	

SUBJET TO CHANGE WITHOUT NOTICE.