

More information:

www.blug.es/eng/productos/

BLUG[®]

Credeblug, s.l.

MACHINE TYPE

ORANGE PEEL GRAB

WORKING SYSTEM

ELECTRO-HYDRAULIC

MATERIAL TO BE HANDLED

CORE SCRAP, BLAST FURNACE, PIG-IRON, OA SCRAP, GREEN PELLETS, INDUSTRIAL HEAVY WASTES, BALED SCRAP, STONES ...

REFERENCE

P-3,5

p. 7



MAX. MATERIAL DENSITY

3,5 T/M³

STRUCTURE

ROUND

RELATED PRODUCTS



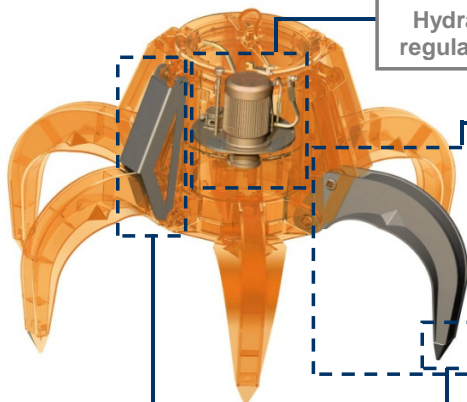
PNA-3



P-3N



PM4-3

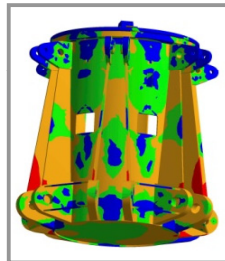
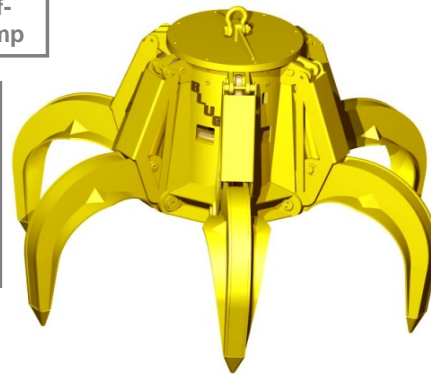


Hydraulic unit equipped with self-regulated piston variable flow pump

Complete load through maximum penetration force applied with special profile jaws designed for the product

Full protected hydraulic cylinders

Special penetration teeth built in wear resistant manganese steel



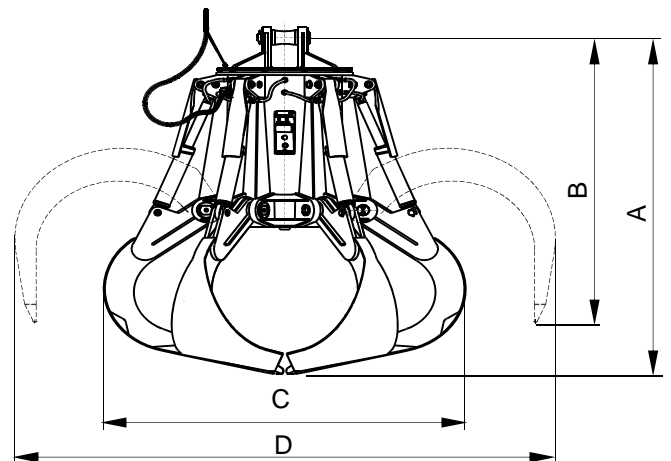
Structure validated by Finite Elements Analysis

Equipment needed

- Hook(s) or lifting chain(s).
- Electric connection for hydraulic unit.

Technical information

- Robust structure in S355 J2G3 rolled steel.
- Oil tank tightly enclosed and protected from environment impurities.
- Design & fabrication according to standard FEM 1001/98 section I.
- CE conformity.



Reference	Capacity	Jaw quantity	Engine 40% ED	Intensity 400 V	Working pressure	Closing time (1)	Opening time	Crane SWL	Weight	Dimensions mm			
	m ³		kW	A	bar	s	s	t	kg	A	B	C	D
P6-1500-3,5	1,5	6	31,5	61	180	10	6	10	4100	2730	2400	2260	3400
P6-2500-3,5	2,5	6	31,5	61	210	10	6	12,5	5000	2885	2450	2500	3710
P6-3200-3,5	3,2	6	40	74,5	170	14	8	18	6800	3035	2865	2700	3845
P6-4000-3,5	4	6	51	94	215	14	8	20	7200	3320	2980	2750	4360
P7-5000-3,5	5	7	62,5	117	170	15	9	30	10500	3605	3240	3020	4790
P8-6300-3,5	6,3	8	70	129	200	17	10	30	11000	4325	3795	3175	5285
P8-8000-3,5	8	8	91	170	240	17	10	40	11600	4500	3900	3460	5540

SUBJECT TO CHANGE WITHOUT NOTICE.

(1) THE LOAD APREHENSION TIME IS CONSIDERED AT 85% OF THE SHELLS STROKE.

You can request any model's offer visiting our web site www.blug.es or sending an email to comercial@blug.es