

More information:
www.blug.es/eng/productos/

BLUG[®]
 Credeblug, s.l.

MACHINE TYPE
ORANGE PEEL GRAB
WORKING SYSTEM
ELECTRO-HYDRAULIC
MATERIAL TO BE HANDLED



REFERENCE
P-1,8



MAX. MATERIAL DENSITY
1,8 T/M³
STRUCTURE
ROUND

p. 3

RELATED PRODUCTS



PR8-1,8

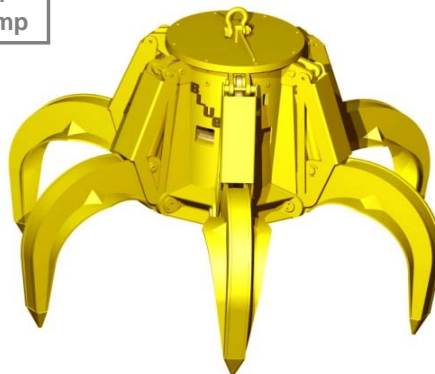
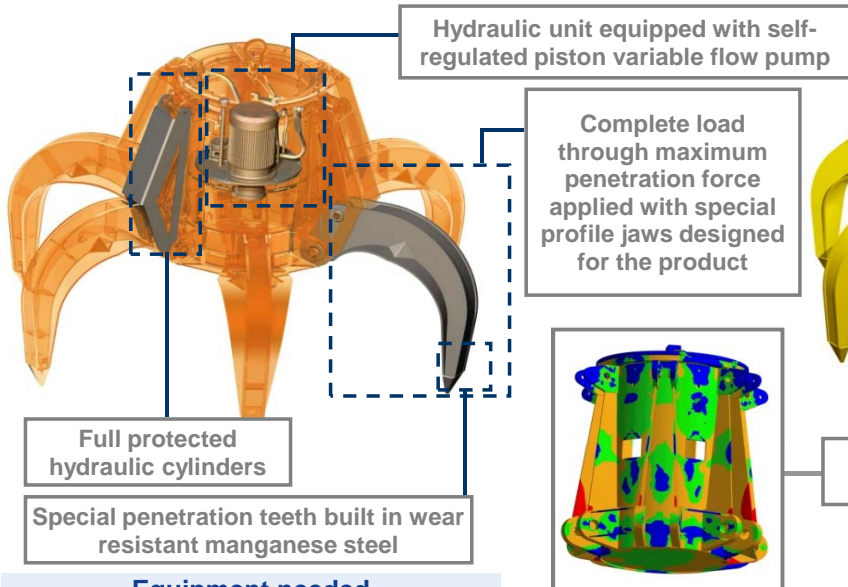


P-3N

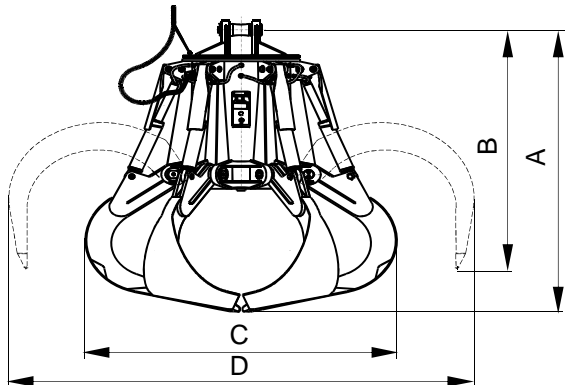
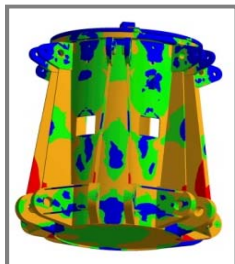


PM4-1,8

MIXED SCRAP, BALED SCRAP WOOD, FRAG SCRAP, INDUSTRIAL REFUSE, MISCELLANEOUS SCRAP, SCRAP 1-2...



Structure validated by Finite Elements Analysis



Equipment needed

- Hook(s) or lifting chain(s).
- Electric connection for hydraulic unit.

Technical information

- Robust structure in S355 J2G3 rolled steel.
- Oil tank tightly enclosed and protected from environment impurities.
- Reduced height, multi-stable, can work at any angle (± 60°).
- Design & fabrication according to standard FEM 1001/98 section I.
- CE conformity.

Reference	Capacity	Jaw quantity	Engine 40% ED	Intensity 400 V	Working pressure	Closing time (1)	Opening time	Crane SWL	Weight	Dimensions mm			
	m ³		kW	A	bar	s	s	t	kg	A	B	C	D
P5-500-1,8	0,5	5	7,3	14,5	140	10	7	2,5	1050	1815	1530	1490	2285
P5-750-1,8	0,75	5	7,3	14,5	160	10	7	2,5	1150	1785	1510	1605	2215
P5-1000-1,8	1	5	10	20	165	8	5	4	1560	2100	1820	1850	2705
P5-1250-1,8	1,25	5	10	20	210	8	5	4	1650	2200	1850	1950	2900
P6-1600-1,8	1,6	6	14,5	28	130	9	5	6,3	2620	2410	2110	2260	3070
P6-2000-1,8	2	6	20,5	39	170	9	5	6,3	2710	2510	2145	2375	3270
P6-2500-1,8	2,5	6	20,5	39	210	10	6	8	2810	2660	2195	2475	3550
P6-3200-1,8	3,2	6	31,5	61	185	10,5	6	10	3940	2985	2480	2615	3895
P6-4000-1,8	4	6	31,5	61	200	12	7	12,5	4250	3135	2535	2805	4190
P6-5000-1,8	5	6	40	74,5	160	14,5	8	18	6600	3375	3020	3090	4480
P7-6300-1,8	6,3	7	51	94	190	17	9	20	7890	3575	3115	3245	4845
P7-8000-1,8	8	7	51	94	210	17	9	25	8320	3775	3205	3470	5220
P7-10000-1,8	10	7	70	129	210	15	8	30	9600	4160	3485	3805	5870
P7-12000-1,8	12	7	91	170	240	20	12	35	12200	4710	3960	4070	6090

SUBJECT TO CHANGE WITHOUT NOTICE.

(1) THE LOAD APREHENSION TIME IS CONSIDERED AT 85% OF THE SHELLS STROKE.

You can request any model's offer visiting our web site www.blug.es or sending an email to comercial@blug.es